

Image may differ from product. See the technical specification for details.

6301-2RSH

Deep groove ball bearings

- 2RSH: Contact seal, NBR, on both sides
- Popular item
- SKF Explorer

[FIND A DISTRIBUTOR](#)

[View product table](#)

[Calculate](#) [↗](#)

[Mount and dismount](#) [↗](#)

[↑ TOP](#)

[TECHNICAL SPECIFICATION](#)

[CAD MODEL](#)

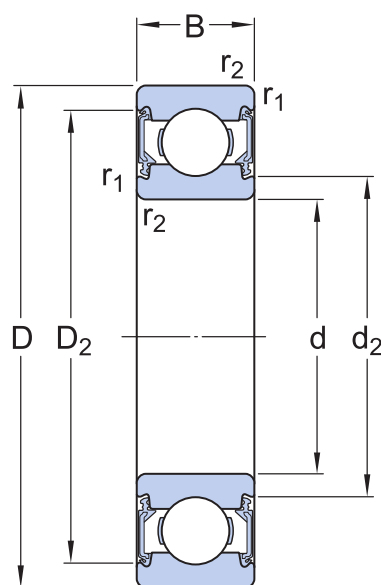
[MORE INFORMATION](#)

[MORE FROM SKF](#)

Technical specification

Display in: Metric Imperial

[↓ Technical Specification PDF](#)

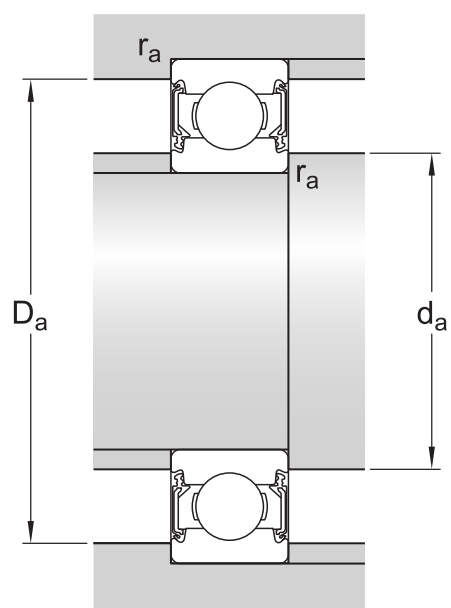


DIMENSIONS

d	12 mm	Bore diameter
D	37 mm	Outside diameter
B	12 mm	Width
d ₂	≈ 17.5 mm	Recess diameter
D ₂	≈ 31.48 mm	Recess diameter
r _{1,2}	min. 1 mm	Chamfer dimension

ABUTMENT DIMENSIONS

d _a	min. 17.6 mm	Diameter of shaft abutment
----------------	-----------------	----------------------------



d_a	max. 17.8 mm	Diameter of shaft abutment
D_a	max. 31.4 mm	Diameter of housing abutment
r_a	max. 1 mm	Radius of shaft or housing fillet

CALCULATION DATA

Basic dynamic load rating	C	10.1 kN
Basic static load rating	C_0	4.15 kN
Fatigue load limit	P_u	0.176 kN
Limiting speed		14 000 r/min
Minimum load factor	k_r	0.03
Calculation factor	f_0	11

MASS

Mass bearing	0.062 kg
--------------	----------

TOLERANCE CLASS

Dimensional tolerances	P6
Radial run-out	P5

TOLERANCES AND CLEARANCES

BEARING DATA

- [Tolerances : Normal \(metric\) , P6 , P5 , Normal \(inch\)](#)
- [Radial internal clearance : Matched bearing pairs , Stainless steel d < 10 mm , Other bearings](#)

BEARING INTERFACES

- [Seat tolerances for standard conditions](#)
- [Tolerances and resultant fits](#)

More information



Product details

[Single row deep groove ball bearings](#)

[Stainless steel deep groove ball bearings](#)

[Single row deep groove ball bearings with filling slots](#)

[Double row deep groove ball bearings](#)

[Bearing data](#)

[Loads](#)

[Temperature limits](#)

[Permissible speed](#)

[Designation system](#)



Engineering information

[Principles of rolling bearing selection](#)

[General bearing knowledge](#)

[Bearing selection process](#)

[Bearing interfaces](#)

[Seat tolerances for standard conditions](#)

[Selecting internal clearance](#)

[Lubrication](#)

[Sealing, mounting and dismounting](#)

[Bearing failure and how to prevent it](#)



Tools

[Bearing_Select](#)

[SimPro Quick](#)

[Engineering Calculator](#)

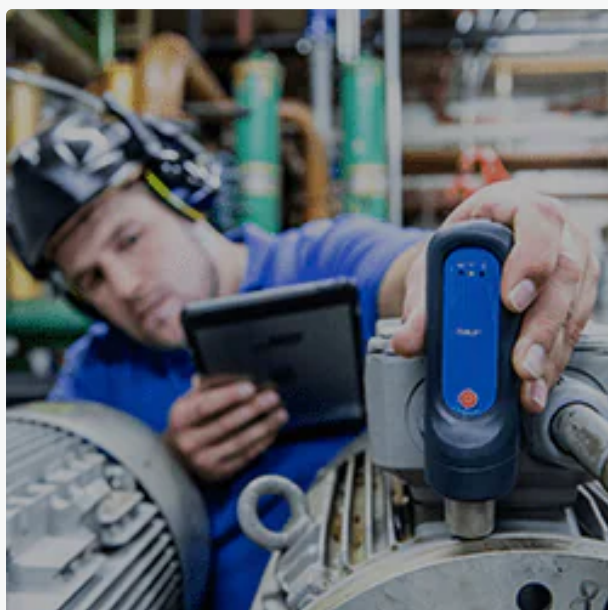
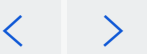
[LubeSelect for SKF greases](#)

[Heater selection tool](#)

[Rolling bearings mounting and dismounting instructions](#)

VIEW MORE

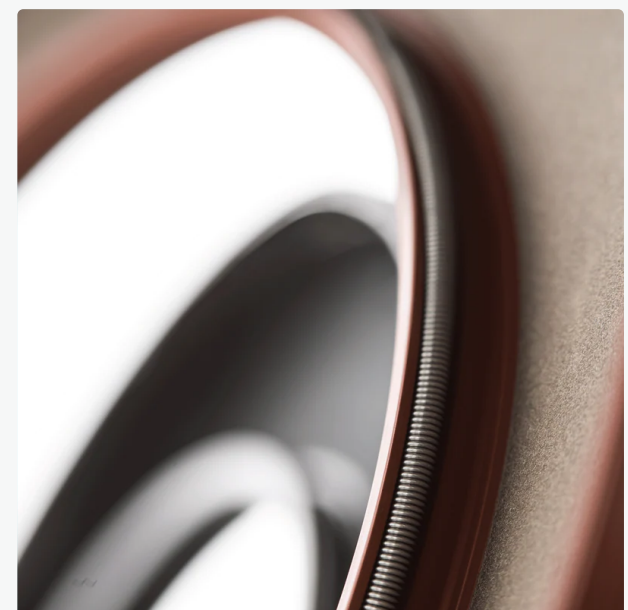
More from SKF



[Services](#)



[Lubrication management](#)



[Industrial seals](#)



[Maintenance](#)

ORGANISATION

[About SKF](#)

[Sustainability](#)

[Research and technology development](#)

[Brand protection](#)

[Supplier portal](#)

CAREER

[Find a job](#) 

[Why work at SKF?](#)

[Meet our people](#)

[Students and graduates](#)

SOCIAL NEWS AND MEDIA



[Press contacts](#)

[Magazines](#)

SKF IS ON



INVESTORS

[Investor relations](#)



© Copyright

[Terms of use](#)

[Privacy policy](#)

[Site ownership](#)

[Cookies](#)

[General conditions of sales](#)